

Data sheet

Stainless steel-ball valve, Eco-Line very light, G 1-1/2", PN40

Item number:

VS4440-6/4



Example illustration

Item description

Materials:

Housing: 1.4408, ball: 1.4408, seal: PTFE, handle: 1.4301

Temperature range:

-20°C to +150°C

Operating range:

Water, oil, compressed air, fuels, solvents, aggressive media

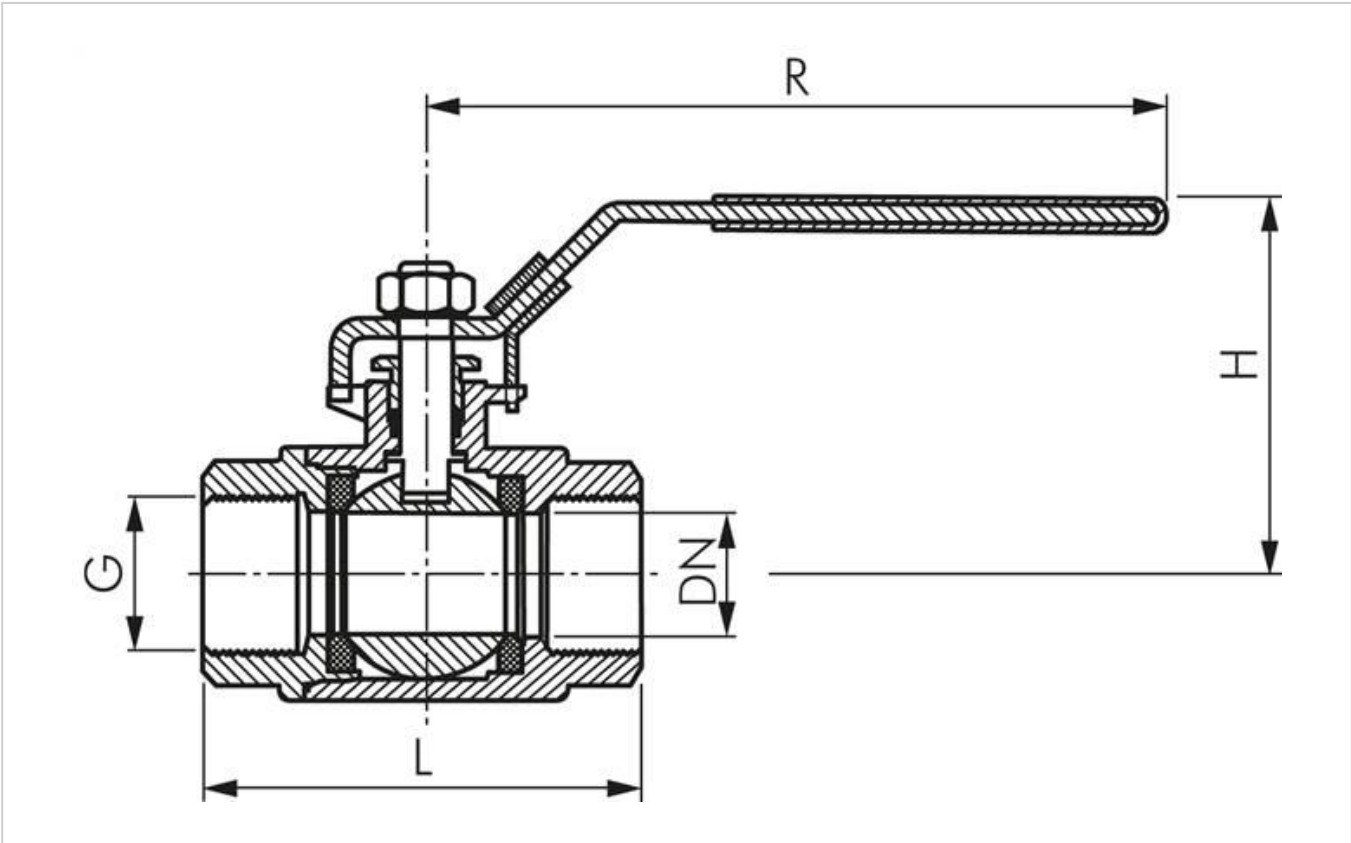
Properties

G	G 1-1/2"
DN [mm]	38
L [mm]	91
PN [bar]	0 to 40
H [mm]	85
R [mm]	173

Further information:

Weight	1,1 kg / pcs
GTIN	4050571906894
Customs duty number	84818081

Drawing:



Drawing