

Data sheet

Stainless steel-ball valve, Eco-Line very light, G 2", PN40

Item number:

VS4440-2



Example illustration

Item description

Materials:

Housing: 1.4408, ball: 1.4408, seal: PTFE, handle: 1.4301

Temperature range:

-20°C to +150°C

Operating range:

Water, oil, compressed air, fuels, solvents, aggressive media

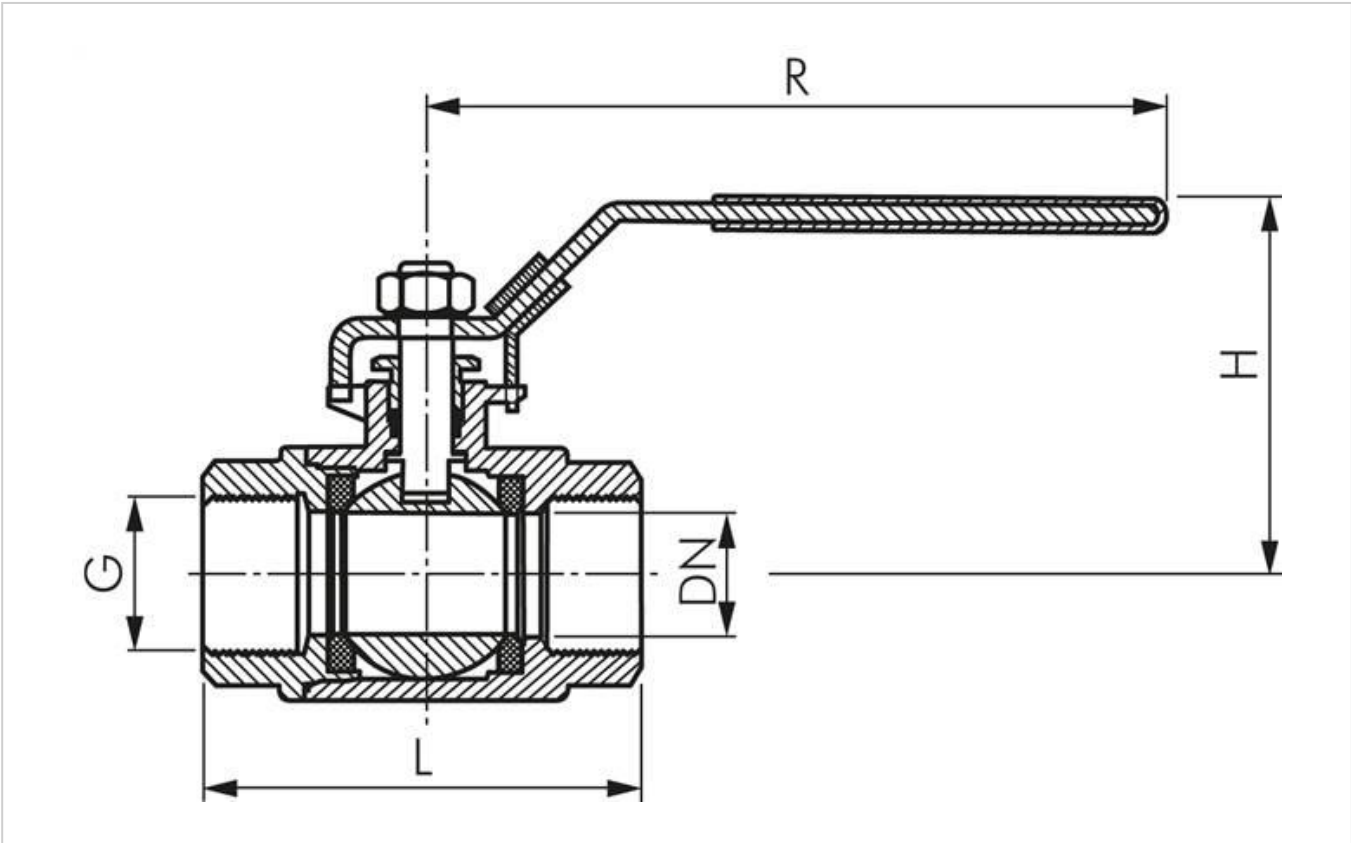
Properties

G	G 2"
DN [mm]	49
L [mm]	105
PN [bar]	0 to 40
H [mm]	92
R [mm]	173

Further information:

Weight	1,5 kg / pcs
GTIN	4050571906917
Customs duty number	84818081

Drawing:



Drawing