

FULL FLOW BALL VALVES

VS1520 ball valve, full flow

Suitable for domestic water services, heating and air-conditioning plants, compressed air systems.



| SIZE | PRESSURE | CODE |
|--------------|--------------|------------|
| 1/4" (DN 8) | 50bar/725psi | VS1520-1/4 |
| 3/8" (DN 10) | 50bar/725psi | VS1520-3/8 |
| 1/2" (DN 15) | 50bar/725psi | VS1520-1/2 |
| 3/4" (DN 20) | 40bar/580psi | VS1520-3/4 |
| 1" (DN 25) | 40bar/580psi | VS1520-1 |

CERTIFICATIONS



TECHNICAL SPECIFICATIONS

Female/female threads.

T handle in aluminium.

Body in nickel-plated brass.

Minimum and maximum working temperatures: -20°C, 150°C in absence of steam.

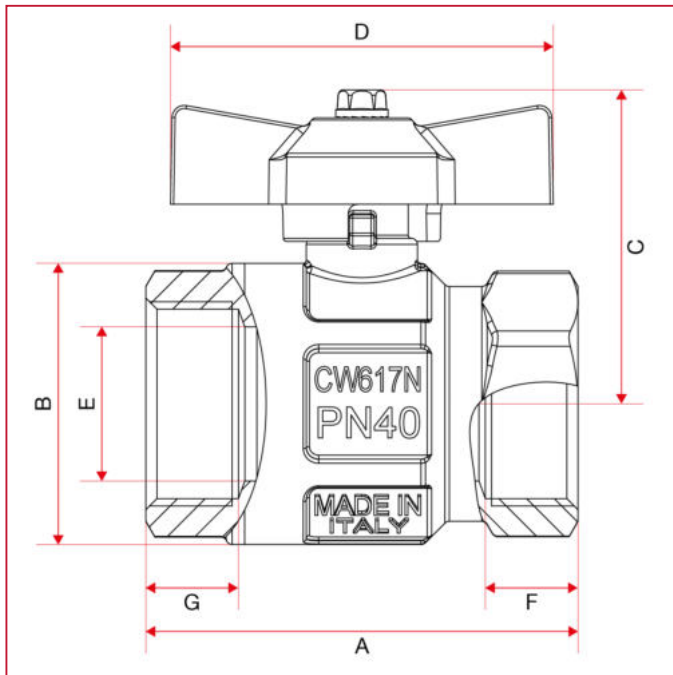
Threads: ISO 228 (equivalent to DIN EN ISO 228 and BS EN ISO 228).

Mention "N" in the code only to order the black handle.

Available also with NPT thread in the sizes 1/4" through 1".

FULL FLOW BALL VALVES: IDEAL

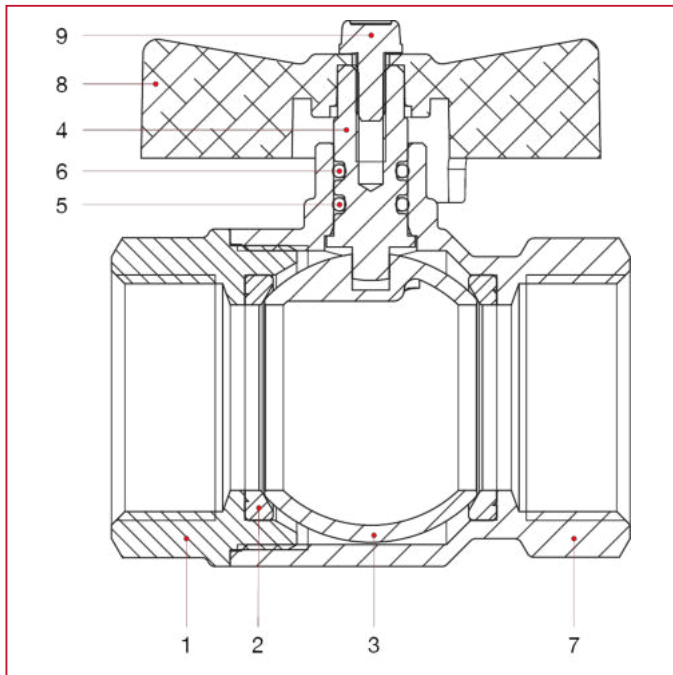
OVERALL DIMENSIONS



| | 1/4" | 3/8" | 1/2" | 3/4" | 1" | 1"1/4 |
|------------------------|------|------|------|------|------|-------|
| DN | 8 | 10 | 15 | 20 | 25 | 32 |
| A | 44,4 | 44,4 | 50,5 | 57,5 | 70 | 80,5 |
| B | 23,5 | 24 | 30,5 | 37 | 45,5 | 57 |
| C | 37 | 37 | 41 | 47 | 51 | 64 |
| D | 47 | 47 | 47 | 62 | 62 | 70 |
| E | 10 | 10 | 15 | 20 | 25 | 32 |
| F | 10 | 10 | 12 | 12,5 | 15 | 17 |
| G | 10 | 10 | 12,5 | 13,5 | 15 | 16,5 |
| Kg/cm ² bar | 50 | 50 | 50 | 40 | 40 | 30 |
| LBS - psi | 725 | 725 | 725 | 580 | 580 | 435 |

FULL FLOW BALL VALVESIDEAL

MATERIALS



| POS. | DESCRIPTION | N. | MATERIAL |
|------|--------------------|----|----------------------------|
| 1 | Female end adapter | 1 | Nickel-plated brass CW617N |
| 2 | Seat | 2 | P.T.F.E. |
| 3 | Ball | 1 | Chrome-plated brass CW617N |
| 4 | Stem | 1 | Brass CW614N |
| 5 | O-ring | 1 | NBR |
| 6 | O-ring | 1 | Viton® |
| 7 | Body | 1 | Nickel-plated brass CW617N |
| 8 | T handle | 1 | Varnished aluminium |
| 9 | Screw | 1 | Zinc-plated steel C4C |