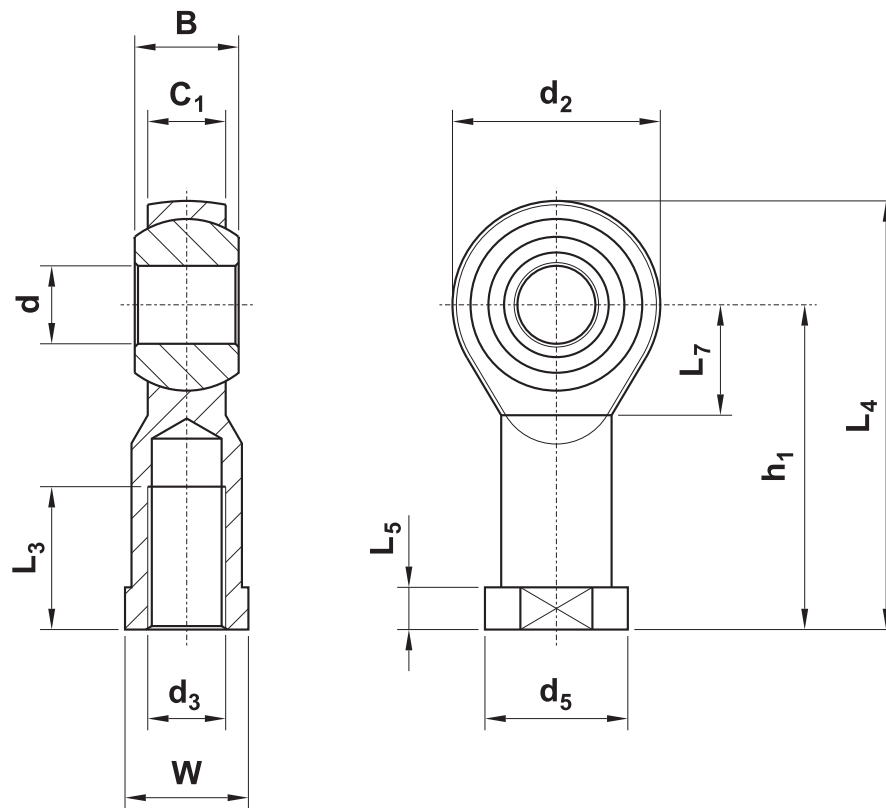


TESTE A SNODO

jointing balls



sigla part nr.	STANDARD	sigla part nr.	INOX	per alesaggi for bores	d ₃	d	B	C ₁	d ₂	d ₅	h ₁	L ₃	L ₄	L ₅	L ₇	W
TS8T10		TS8T10X		8-10	M4x0.7	ø5	8	6	18	ø11	27	10	36	4	10	9
TS12T16		TS12T16X		12-16	M6x1	ø6	9	6.75	20	ø13	30	12	40	5	11	11
TST20		TST20X		20	M8x1.25	ø8	12	9	24	ø16	36	16	48	5	13	14
TS25T32		TS25T32X		25-32	M10x1.25	ø10	14	10.5	28	ø19	43	20	57	6.5	15	17
TST40		TST40X		40	M12x1.25	ø12	16	12	32	ø22	50	22	66	6.5	17	19
TS50T63		TS50T63X		50-63	M16x1.5	ø16	21	15	42	ø27	64	28	85	8	23	22
TS80T100		TS80T100X		80-100	M20x1.5	ø20	25	18	50	ø34	77	33	102	10	27	30
TST125		TST125X		125	M27x2	ø30	37	25	70	ø50	110	51	145	15	36	41
TS160T200		TS160T200X		160-200	M36x2	ø35	43	28	80	ø58	125	56	165	17	41	50