

Description

Dry plastic case centre back entry. For industry, gases and liquids not viscous, not aggressive and not crystallising.



MPS-40 ... A

DN40 pressure gauges.

Part No	Pressure Range	Connection
MPS-40-1/0A	-1/0 bar/inHg	R1/8
MPS-40-0/1A	0-1 bar/psi	R1/8
MPS-40-0/1.6A	0-1.6 bar/psi	R1/8
MPS-40-0/2.5A	0-2.5 bar/psi	R1/8
MPS-40-0/4A	0-4 bar/psi	R1/8
MPS-40-0/6A	0-6 bar/psi	R1/8
MPS-40-0/10A	0-10 bar/psi	R1/8
MPS-40-0/12A	0-12 bar/psi	R1/8
MPS-40-0/16A	0-16 bar/psi	R1/8
MPS-40-0/25A	0-25 bar/psi	R1/8



MPS-50 ... A

DN50 pressure gauges.

Part No	Pressure Range	Connection
MPS-50-1/0A	-1/0 bar/inHg	R1/4
MPS-50-0/1A	0-1 bar/psi	R1/4
MPS-50-0/1.6A	0-1.6 bar/psi	R1/4
MPS-50-0/2.5A	0-2.5 bar/psi	R1/4
MPS-50-0/4A	0-4 bar/psi	R1/4
MPS-50-0/6A	0-6 bar/psi	R1/4
MPS-50-0/10A	0-10 bar/psi	R1/4
MPS-50-0/12A	0-12 bar/psi	R1/4
MPS-50-0/16A	0-16 bar/psi	R1/4



MPS-63 ... A

DN63 pressure gauges.

Part No	Pressure Range	Connection
MPS-63-1/0A	-1/0 bar/inHg	R1/4
MPS-63-0/1A	0-1 bar/psi	R1/4
MPS-63-0/1.6A	0-1.6 bar/psi	R1/4
MPS-63-0/2.5A	0-2.5 bar/psi	R1/4
MPS-63-0/4A	0-4 bar/psi	R1/4
MPS-63-0/6A	0-6 bar/psi	R1/4
MPS-63-0/10A	0-10 bar/psi	R1/4
MPS-63-0/12A	0-12 bar/psi	R1/4
MPS-63-0/16A	0-16 bar/psi	R1/4
MPS-63-0/25A	0-25 bar/psi	R1/4

Features

Materials	
Case	Black plastic
Window	Clear plastic
Dial	White plastic
Pointer	Black plastic
Pressure connection	Cu-alloy, 12 mm flats (DN 40) - 14 mm flats (\geq DN 50)
Pressure element	Bourdon tube Cu-alloy, soft soldered \leq 60 bar C-type, $>$ 60 bar helical type Sn-Ag soldered
Movement	Cu-alloy

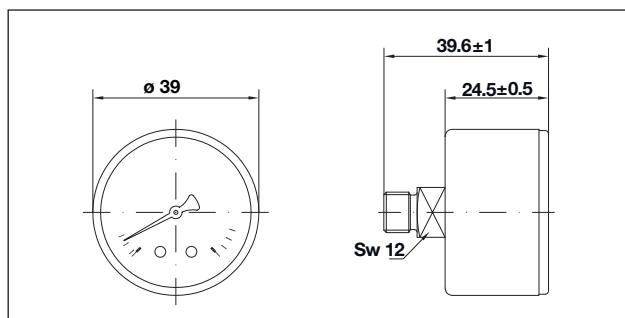
Technical features	
Design	EN 837-1
Working pressure	Steady: 75 % of full scale value Fluctuating: 60 % of full scale value Short time: full scale value
Temperature limits	Ambient: -40 ... +60 °C Medium: +60 °C maximum Storage: -40 ... +60 °C
Temperature effect	Deviation from reference temperature (+20°C): $\pm 0,04\%/1K$ of the span
Accuracy class	Cl 1.6
Degree of protection	IP 31 per EN 60 529 / IEC 529

Individual weight:

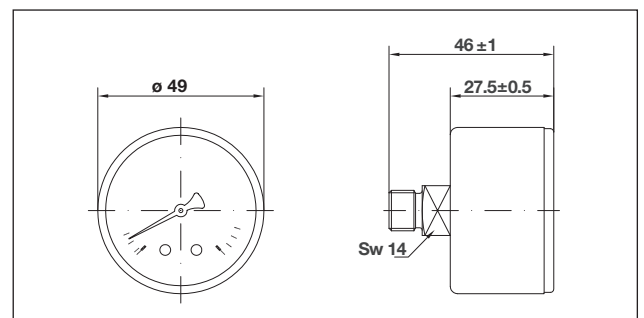
MPS-40 ... A	0.048 kg
MPS-50 ... A	0.089 kg
MPS-63 ... A	0.094 kg

Overall dimensions (mm)

MPS-40 ... A



MPS-50 ... A



MPS-63 ... A

