

EH系列线圈/ EH Series Coil

型号命名/ Product Code System

EH
型号/Model

— 602 —
规格代号/Type Code
602:602线圈/Coil
603:603线圈/Coil

□ —
无: 插座式/With Connector
L: 引线+指示灯/With line+lamp

AC220V
标准电压
Rated Voltage
DC:12V DC:24V
AC:24V 50/60Hz
AC:110V 50/60Hz
AC:220V 50/60Hz



EH602



EH603

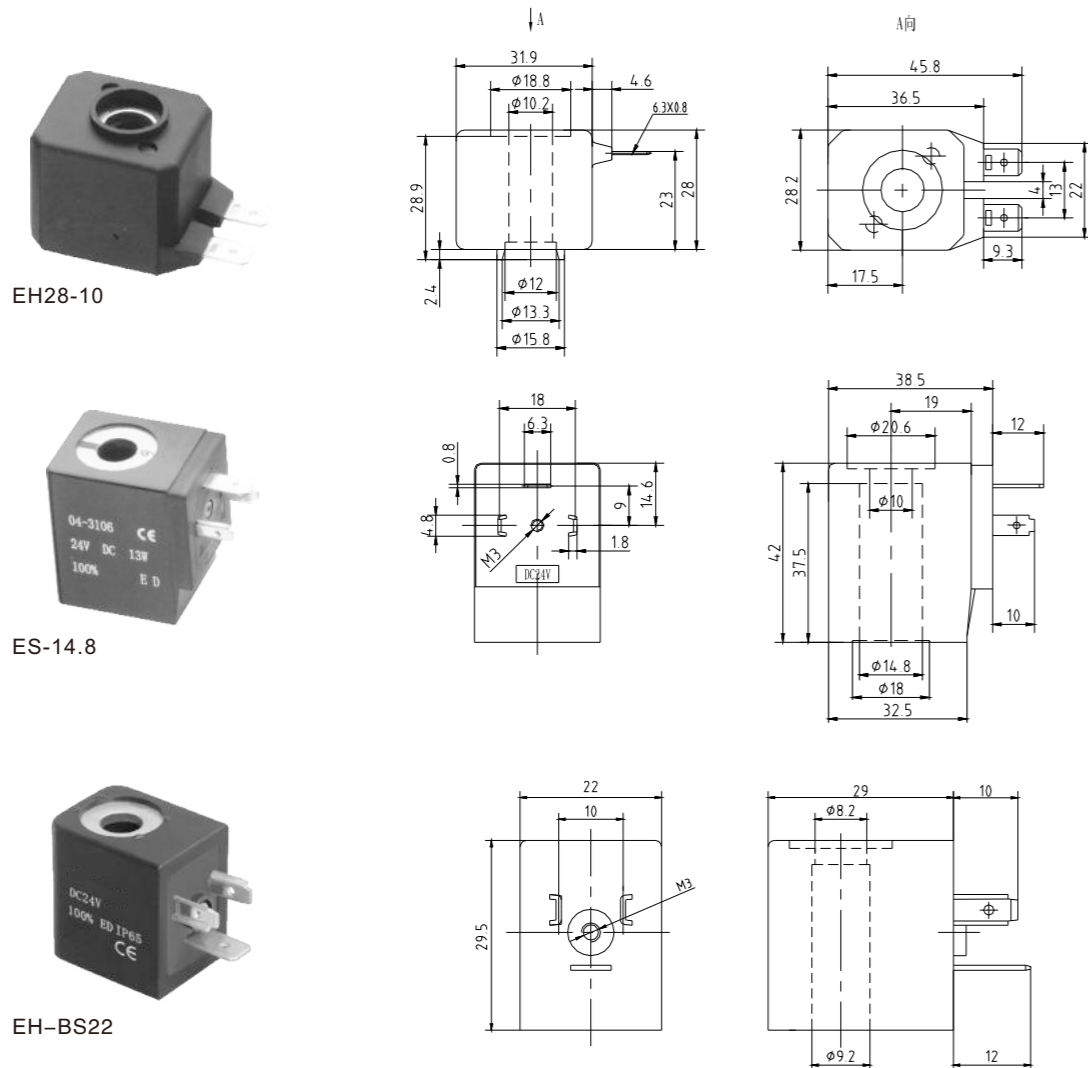


EH603L



EH-BS30

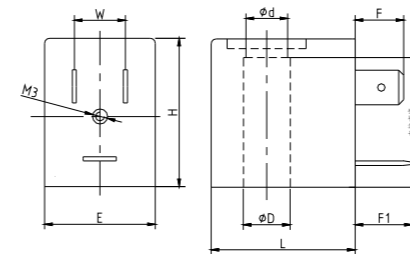
外形与安装尺寸/ Dimensions



技术参数/ Specification

型号/Model	Eh602	EH603 EH603L	EH-BS30 EH-BS30R	EH-BS22	EH28-10	ES-14.8
功率/ Power Consumption	AC:3.5-8VA DC:3-5W	AC:2.5-3.5VA DC:1-3W	AC:8.5-13VA DC:6-9.5W	AC:7.7VA/50Hz AC:6.2VA/60Hz DC:4.8W	AC:19.7-25VA DC:12-18W	AC:22VA DC:13W
工作制式/ Duty Cycle	100%ED					
工作电压 / Operation Voltages	AC24,110,220,50/60Hz -15%~+10% DC12,24,48V -15%~+10%					
耐电压/ Withstand Voltage	1500V					
环境温度范围 / Ambient Temp.Range	-30℃ ~ 70℃					
线圈保护等级/ Degree of Protection	DIN40050,IP65(IEC144) 带插座/ With Connector					
线圈绝缘等级 / Coil Insulation	F级/Class F					
封装材料/ Potting Material	热固性 Thermosetting					
电气连接 / Electric Connection	DIN 43650B	43650C	43650A	EN175301-803		43650A

外形与安装尺寸/ Dimensions



型号/Model	phi d	phi D	E	L	H	安装高度 Height for assembling	W	F	F1
Eh602 EH602R	8.2	9.2	22	29	29.6	25.9	11	10	12
EH603 EH603R	7.1	8.1	17	22	23.8	20.3	9.4	7	7.5
EH-BS30 EH-BS30R	8.2	10	30	36	30	27.2	18	10	12

EX系列线圈/ EX Series Coil

外形与安装尺寸/Dimensions



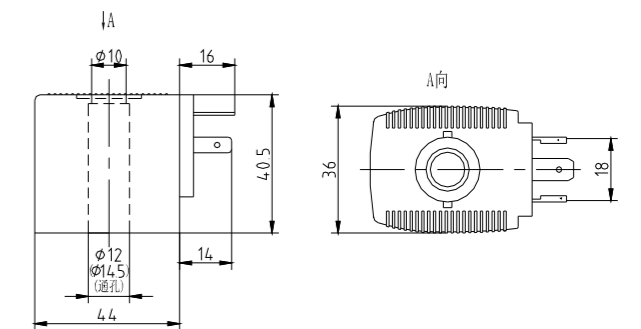
型号命名/ Product Code System

EX
型号/Model

12
线圈孔径/
Coil Hole Diameter

R
R:导线式/
R:With Line
无: 插座式/
With Connector

AC220
标准电压
Rated Voltage
AC:24V AC:110V
DC:12V DC:24V
AC:220V 50/60HZ
AC:380V 50/60HZ



型号/Model	EX-14.5 EX-14.5R	EX-14.8	EX-12 EX-12R	EX-13.2R
功率/ Power Consumption	AC:19-22VA DC:15-17W		AC:12-14VA DC:10-12W	
工作制式 / Duty Cycle	100%ED			
工作电压 / Operation Voltages	AC24,110,220,50/60Hz -15%~+10% DC12,24,48V -15%~+10%			
耐电压/ Withstand Voltage	1500V			
环境温度范围 / Ambient Temp.Range	-30℃ ~ 70℃			
线圈保护等级/ Degree of Protection	DIN40050,IP65(IEC144) 带插座/ With Connector			
线圈绝缘等级 / Coil Insulation	F级/Class F			
电气连接 / Electric Connection	DIN 43650A			