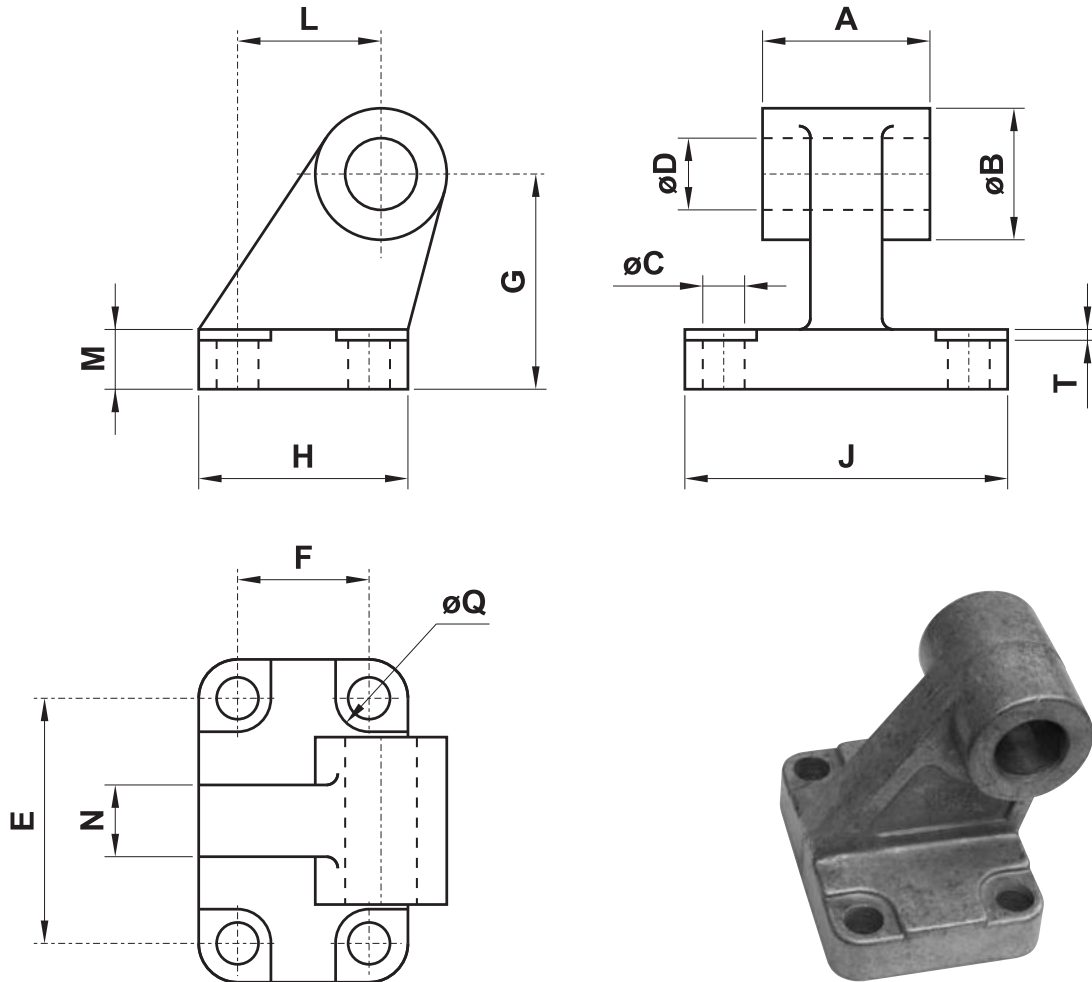




CONTROCERNIERA ORIZZONTALE A BASE RETTANGOLARE (rectangular joint) NORMA CETOP RP107P



sigla part number	per alesaggio for bore	A	B	C	D	E	F	G	H	J	L	M	N	Q	T
COIS032	32	26	20	6.6	10	38	18	32	31	51	21	8	10	11	1.6
COIS040	40	28	22	6.6	12	41	22	36	35	54	24	10	15	11	1.6
COIS050	50	32	26	9	12	50	30	45	45	65	33	12	16	15	1.6
COIS063	63	40	30	9	16	52	35	50	50	67	37	14	16	15	1.6
COIS080	80	50	30	11	16	66	40	63	60	86	47	14	20	18	2.5
COIS100	100	60	38	11	20	76	50	71	70	96	55	17	20	18	2.5
COIS125	125	70	45	14	25	94	60	90	90	124	70	20	30	20	3.2
COIS160	160	90	63	14	30	118	88	115	126	156	97	25	36	20	4
COIS200	200	90	63	18	30	122	90	135	130	162	105	30	40	26	4