

2/2 WAY COMPACT PISTON ACTUATED VALVE G 3/8" ÷ 1/2" - BRASS

TECHNICAL SPECIFICATIONS

Piston valve with external pneumatic actuation, compact and solid construction.

Suitable for neutral media with particles in suspension, on applications where a standard pilot operated solenoid valve may become clogged.

Media: water, air, inert fluids, inert gases

Media temperature: -10°C ÷ +90°C

Ambient temperature: -10°C ÷ +80°C

Pilot media: filtered air

Actuator body material: brass (CW617N EN12165)

Body material: brass (CW617N EN12165)

Piston material: aluminium

Stem material: AISI 316L

Seal material: NBR

Frequency: 6 cycles per minute

BENEFITS

Waterhammer-free design (with flow direction 2 → 1)

Swift installation with banjo bolt pilot solenoid valve B356CVCMK (see page 30)

Design for vacuum applications up to 10⁻² mbar

OPTIONS

NPT connection, minimum batch may be required (e.g. code BLN205DBW00)

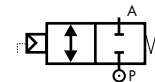
Electroless nickel plating treatment (e.g. code BLG205DBW0K)

ACCESSORIES

Pilot solenoid valves type B356- (see page xx)

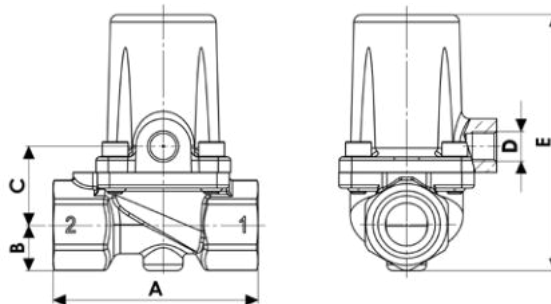


TYPE: BLG



NC bidirectional flow over / under seat 1 → 2 / 2 → 1

DIMENSIONS & WEIGHTS		DN13.5	DN13.5
G connection	[ISO 228]	3/8"	1/2"
A	[mm]	67	67
B	[mm]	15	15
C	[mm]	25.5	25.5
D	[mm]	1/8"	1/8"
E	[mm]	84	84
weight	[kg]	0.55	0.52



VALVE	body connection	DN	flow rate Kvs	working pressure		flow direction	pilot pressure		actuator Ø	function
				min.	max.		min.	max.		
code	[ISO 228G]	[mm]	[l/min]	[barg]	[barg]	–	[barg]	[barg]	[mm]	–
BLG204DBW00 ①	3/8"	13.5	56 / 45	0	10	1 → 2 / 2 → 1	4.5	10	32	NC bidirectional
BLG205DBW00	1/2"	13.5	70 / 55	0	10	1 → 2 / 2 → 1	4.5	10		

NOTE

① Minimum batch may be required