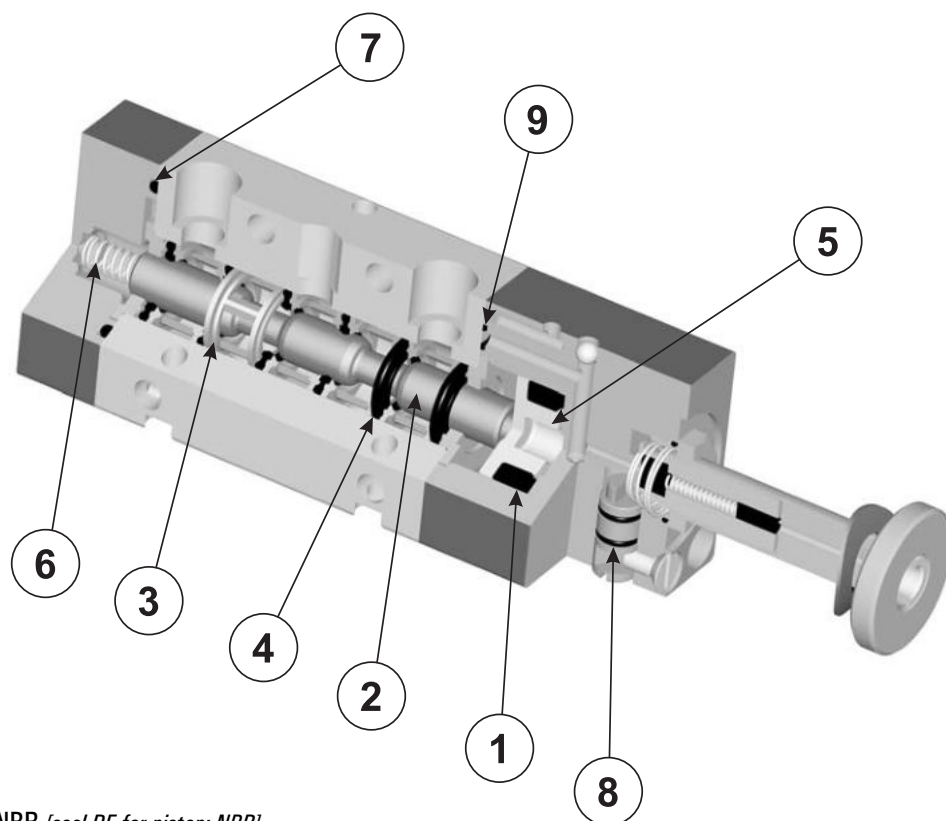


ricambi per valvole a spola

spare parts for spool valves



1. Guarnizione DE per pistone: NBR [seal DE for piston: NBR]
2. Spola: alluminio 11S nichelato [spool: aluminium 11S, nickeled]
3. Distanziale cassetto: ottone [brass]
4. Guarnizione cassetto: NBR [seal for spool: NBR]
5. Pistone per comando spola: delrin [piston to actuate the spool: delrin]
6. Molla: acciaio [spring: steel]
7. Guarnizione O-Ring: NBR
8. Guarnizione O-Ring 4x1: NBR
9. Guarnizione O-Ring sagomato: NBR [shaped O-Ring: NBR]

| codice kit code of kit | utilizzabile per suitable for | | |
|---------------------------|----------------------------------|------------|------------|
| 00.036.2 | 321 MC | 321 MCA | 321 ME |
| | 321 MEA | 321 ME90 S | 321 ME90 L |
| 00.039.2 | 521 MC | 521 ME | 521 ME90 S |
| | 521 ME90 L | | |
| 00.037.2 | 321 CC | 321 EE | 321 CE |
| | 321 EE AS | 321 EE90 S | 321 EE90 L |
| 00.040.2 | 521 CC | 521 EE | 521 CE |
| | 521 EE AS | 521 EE90 S | 521 EE90 L |
| 01.014.2 | 322 MC | 322 MC SUP | 322 MCA |
| | 322 ME | 322 MEA | |
| 01.020.2 | 522 MC | 522 MC SUP | 522 ME |
| 01.015.2 | 322 CC | 322 CC SUP | 322 CE |
| | 322 EE | 322 EE AS | |
| 01.021.2 | 522 CC | 522 CC SUP | 522 CE |
| | 522 EE | 522 EE AS | |

| codice kit code of kit | utilizzabile per suitable for | | |
|---------------------------|----------------------------------|-------------|-------------|
| 00.038.2 | 321 EED | 321 EFP | 321 CCD |
| | 321 CFP | | |
| 00.041.2 | 521 EED | 521 EFP | 521 CCD |
| | 521 CFP | | |
| 01.019.2 | 322 EED | 322 EFP | 322 CCD |
| | 322 CFP | | |
| 01.022.2 | 522 EED | 522 EFP | 522 CCD |
| | 522 CFP | | |
| 00.050.2 | 321 ME AS | | |
| 01.035.2 | 322 ME AS | | |
| 00.051.2 | 521 ME AS | | |
| 01.036.2 | 522 ME AS | | |
| 00.108.2 | 5213C CC | 5213A CC | 5213P CC |
| | 5213C EE | 5213A EE | 5213P EE |
| | 5213C EE AS | 5213A EE AS | 5213P EE AS |
| 01.061.2 | 5223C CC | 5223A CC | 5223P CC |
| | 5223C EE | 5223A EE | 5223P EE |
| | 5223C EE AS | 5223A EE AS | 5223P EE AS |