

2-WAY AND 3-WAY VACUUM SOLENOID PILOT VALVES

These direct-drive valves have been specially designed for vacuum and are normally closed.

They are composed of an anodised aluminium body, where the connections and the passage mouths are located, and of an actuator which is activated by an electric coil. The solenoid pilot valve shutter in NBR nitrile rubber or Vulkollan® is an integral part of the actuator mobile core

Both the mouths of the two-way solenoid pilot valves have the same size, while those of the three-way ones have a 3mm outlet diameter, obtained through the tube.

The very low reaction time allows carrying out a very high number of cycles per minute.

The standard electric coil is fully plasticised with synthetic resin, tight execution, insulation class F (up to 155°C) compliant with VDE standards, with 6.3 mm three-terminal electrical connections in compliance with EN 175301-803 (ex DIN 43650). Protection degree IP 54; IP 65 with connector inserted.

Tolerance permitted on the nominal voltage value: ±10%.

Maximum absorption: 20 V.A. with AC and 18 W with DC.

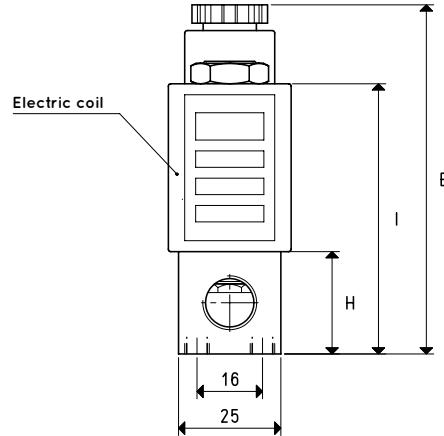
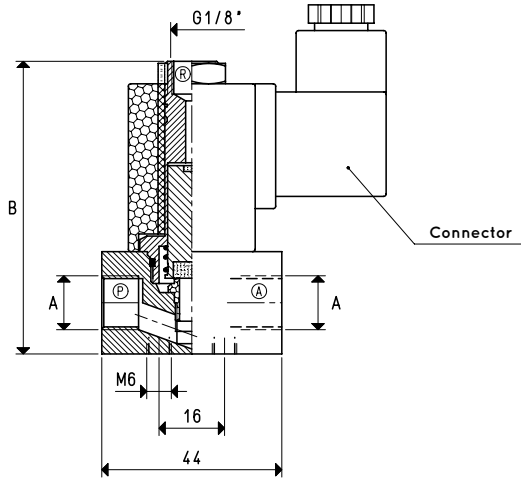
The electric coil can be rotated 360°.

The connector can be rotated 180° on the coil and can be supplied, upon request, with LED lights, anti-interference circuit and/or with protection devices against overvoltage and polarity reversal.

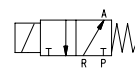
Technical features

Operating pressure: from 1 to 1500 absolute mbar

Temperature of suctioned fluid: from -5 to +60°C



3 / 2 NC



P - Pump
A - Use
R - Discharge

3-WAY SOLENOID PILOT VALVES

Item	A Ø	Max flow rate m ³ /h	Level of vacuum		Reaction time		Mouth Ø	Cross-section of passage mm ²	B	E	H	I	Weight g
			abs. mbar min	max	msec energ.	de-energ.							
07 01 16	G1/4"	4	1000	0.5	15	8	6	28.3	73	86	25	67	248

Note: The coil and the connector are not integral parts of the solenoid pilot valve and, therefore, must be ordered separately (See accessories for solenoid valves).

Transformation ratio: N (newton) = Kg x 9.81 (force of gravity)

inch = $\frac{\text{mm}}{25.4}$; pounds = $\frac{\text{g}}{453.6} = \frac{\text{Kg}}{0.4536}$

Adapters for GAS - NPT threading available on page 1.130